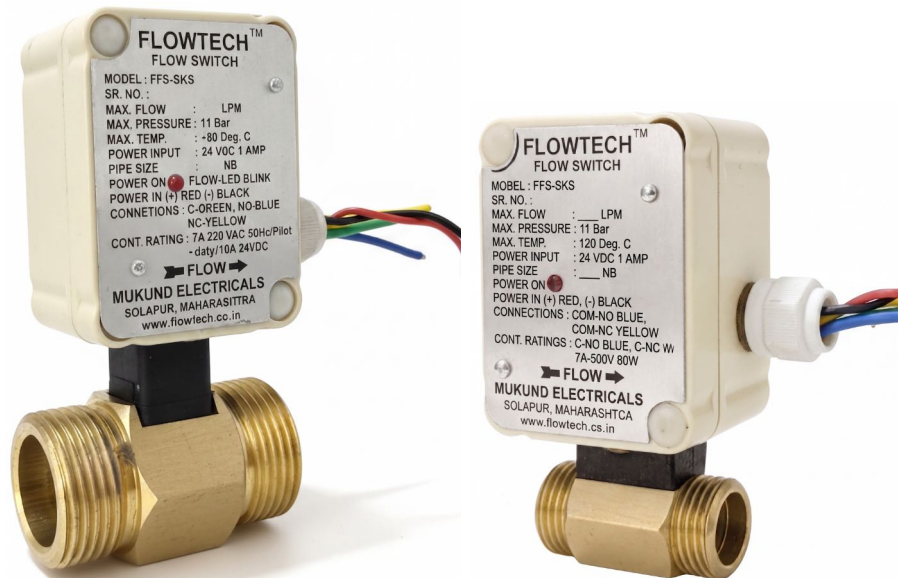


Applications

- Dry run protection for pumps
- R.O. water purification systems
- C.N.C Coolant monitoring systems
- Lubricating Oil circulation systems
- Flow indication & Flow switch applications
- Heat pump water circulation monitoring
- Water & Oil cooling systems & loops.



** colour of enclosure might change as per supply

FEATURES

- **FLOWTECH® FLOW SWITCH FFS-SKS**
Offers a reliable performance. Suitable for water and oil as flow medium
- **FLOWTECH® FLOW SWITCH FFS-SKS**
Offers SPDT type potential free change over contact switching, to suit most application needs.
- **FLOWTECH® FLOW SWITCH FFS-SKS**
Offers robust brass body in two connection option of 1/2 inch & 1" inch BSP male threaded connection
- **FLOWTECH® FLOW SWITCH FFS-SKS**
Offers a in-built run on timer function, to prevent signal hunting effect.
- **FLOWTECH® FLOW SWITCH FFS-SKS**
Offers flow indicator LED which indicates status of the flow in pipeline



MUKUND ELECTRICALS.

'Flowtech House'
139, Industrial Estate.Hotgi Road.
Solapur - 413 003. Maharashtra - INDIA.
Ph. : +91-(0)217 - 2602488
Email : info@flowtech.co.in
Website : www.flowtech.co.in



ISO 9001:2015

www.tuv.com
ID 9105051506



Model : FFS-SKS

P.D. FLOW SWITCH

FLOWTECH® FLOW SWITCH Model : FFS-SKS

Flow Indicator Function



No Light

Power OFF
device not
turned ON

Solid RED  Not Blinking

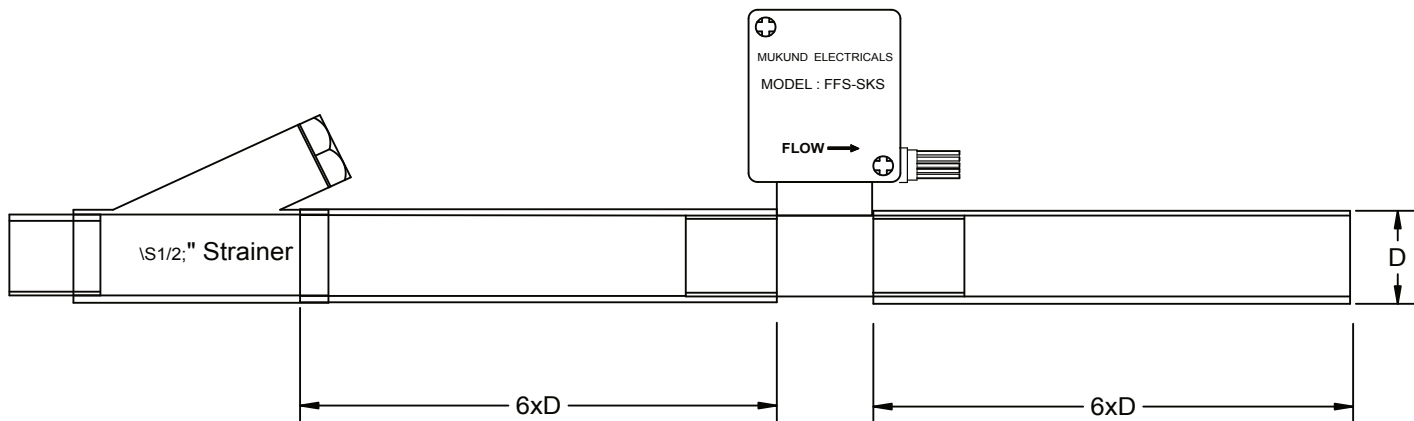
Power ON
NO-Flow



RED  Blinking

Media flowing
through pipeline

Typical Installation



All dimensions are in MM

Technical Specifications

- SPDT potential free change over contact rating max.7A, 230 VAC 50 Hz pilot duty / 10A 24VDC
- Maximum pressure 11 bar ■ Max. temperature 80 Deg.C ■ Flow range - 3 to 30 lpm (1/2 inch) / 5 to 50 lpm (1inch)
- 1/2" BSP (M) & 1" BSP (M) process connection ■ Power required 24 VDC 1 amp (smgs)
- ABS enclosure IP-65 protection class ■ Flow indicator LED ■ M.O.C for body - Brass



MUKUND ELECTRICALS.

'Flowtech House'
139, Industrial Estate.Hotgi Road.
Solapur - 413 003. Maharashtra - INDIA.
Ph. : +91-(0)217 - 2602488
Email : info@flowtech.co.in
Website : www.flowtech.co.in



ISO 9001:2015

www.tuv.com
ID 9105051506

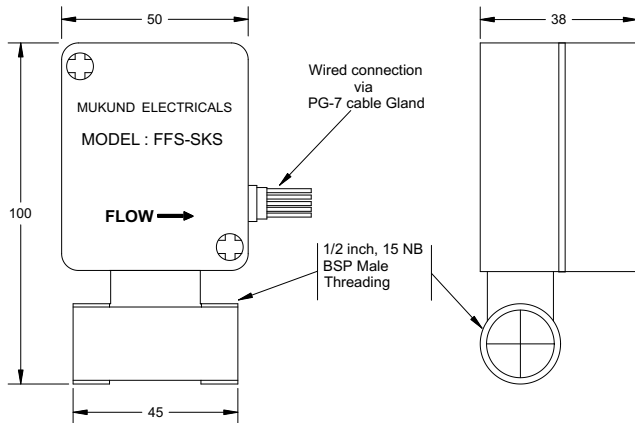


Model : FFS-SKS

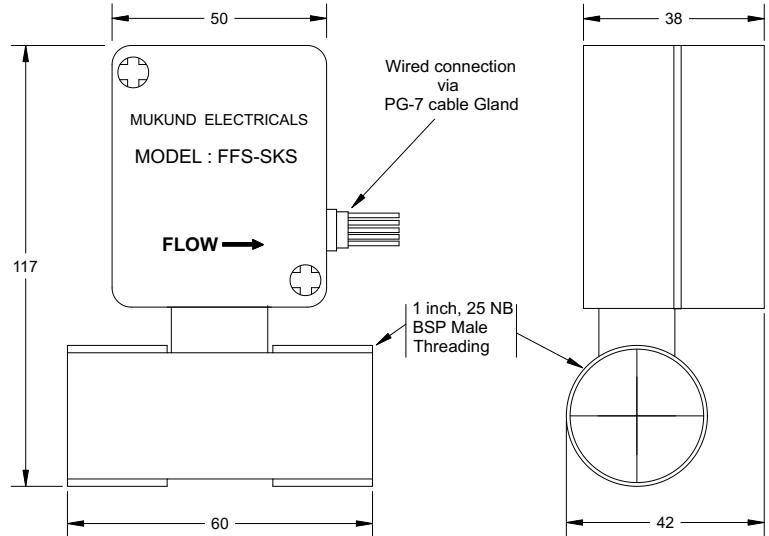
P.D. FLOW SWITCH

FLOWTECH® FLOW SWITCH Model : FFS-SKS

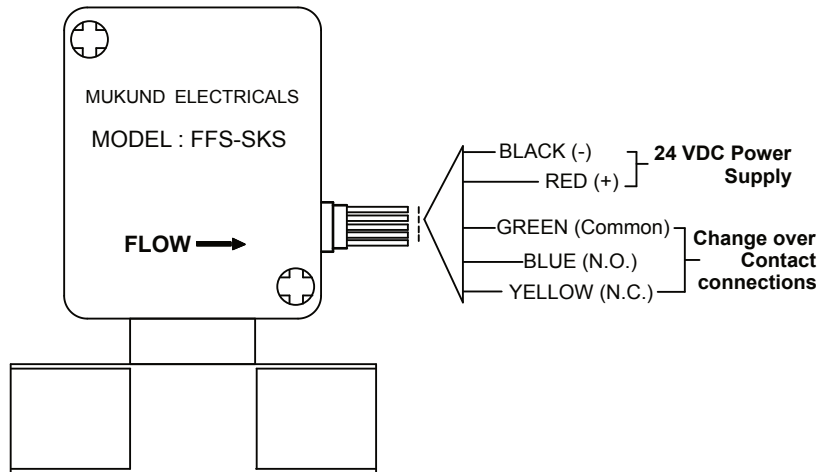
G.A. 1/2 inch / 15 NB pipe size



G.A. 1 inch / 25 NB pipe size



Electrical Connections



MUKUND ELECTRICALS.

'Flowtech House'
 139, Industrial Estate.Hotgi Road.
 Solapur - 413 003. Maharashtra - INDIA.
 Ph. : +91-(0)217 - 2602488
 Email : info@flowtech.co.in
 Website : www.flowtech.co.in



ISO 9001:2015

www.tuv.com
 ID 9105051506

